

Refraction unit DeltaQ, DeltaQP



DeltaQ

DeltaQP



Refraction unit DeltaQ, DeltaQP

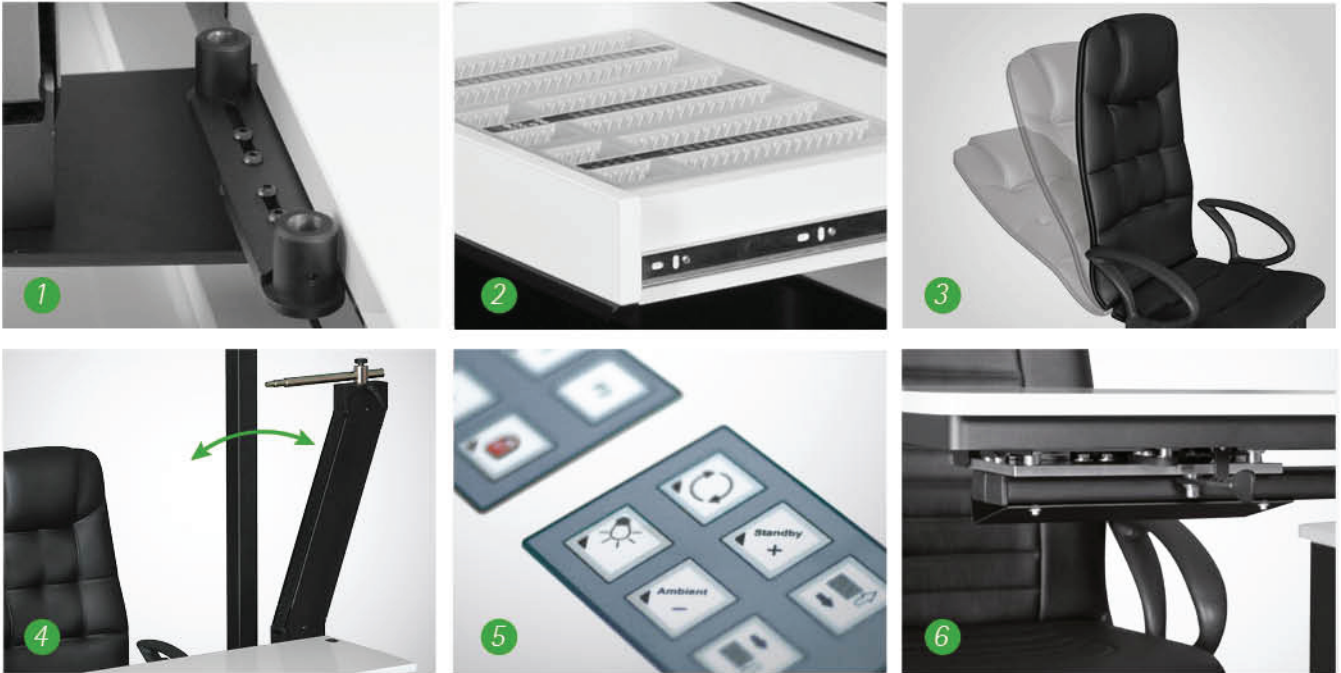
DQ01T, DQP01T – elevating table top and fixed height chair.
DQ01C, DQP01C – elevating chair and fixed height table top.
DQ01CT, DQP01CT – elevating chair and elevating table top.
DeltaQP – model with vertical motorized phoropter arm.

- Elevating table top for two instruments.
- The vertical movement of the chair is adjustable from the integrated touch panel on the table top and / or from the foot – switch (optional).
- Column with overhead halogen lamp with adjustable illumination.
- Column with support for chart projector.
- Integrated cabinet with a drawer for trial lenses set and additional drawer.
- Integrated adjustable power transformers for slit lamp / ophthalmometer.
- Chin rest support plate.
- "Liftboy assistant" – height correcting system.
- 230V outlet for additional instrument e.g. auto lensmeter, auto phoropter, etc.
- Elevating column (25cm) for vertical motorized phoropter arm (model DeltaQP).

Optional

- Removable chair for wheelchair access
- Elevating table top (25cm)
- Counterbalanced phoropter arm (for model DeltaQ)
- Vertical motorized phoropter arm (for model DeltaQP)
- Foot rest (either fixed or tip-up)
- Arm rests (either fixed or tip-up)
- Chair with reclining back
- Manual (13cm) or motorized (14cm) chair sliding forward – backwards
- Foot switch control for up/down movement of the chair
- Installed data cables (Fire Wire, USB, RS232, etc.)
- Cabinet on castors with 3 drawers
- Empty tray for trial lenses set
- Stand for operational panel of digital phoropter
- Room light controller
- Pillow for children
- Left-handed version

DeltaQ, DeltaQP



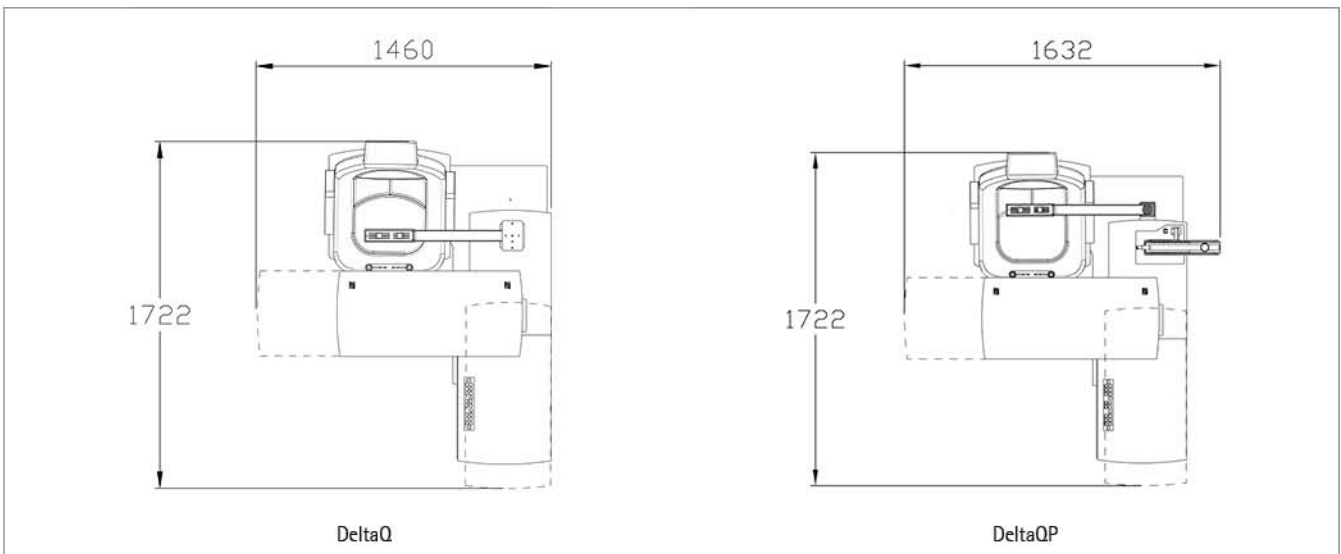
1. Adjustable adapter for chin rest. 2. Cabinet with drawer for trial lenses set. 3. Reclining chair. 4. Vertical motorized phoropter arm. 5. Integrated operational panel for room light controller. 6. Motorized chair sliding assembly.



Technical information

Voltage	~115/230V 50/60Hz
Total weight*	210 kg
Max height	196 cm
Table height from the ground	From 73 cm to 98 cm (25 cm lift)
Chair height from the ground*	From 48cm to 63cm (15cm lift)
Chair rotation*	360°
Overhead halogen lamp	2x12V 35W
Instruments power supply	~115/230V, programmable 3-17V AC or DC, dimmable or permanent.

*Varies depending on options



Available in the UK from Grafton Optical. For a quote or to arrange a demo please contact sales@graftonoptical.com or call us on 01923 233980.