



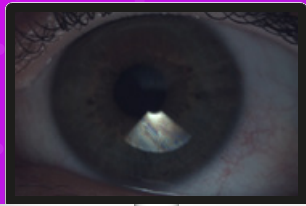
Slit Lamp imaging module

Turn your Slit Lamp into a complete Dry Eye assessment device

- Complete examination
- Comprehensive evaluation



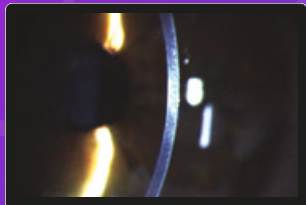
November 2025
ver. 2 - 2025



Auto Interferometry

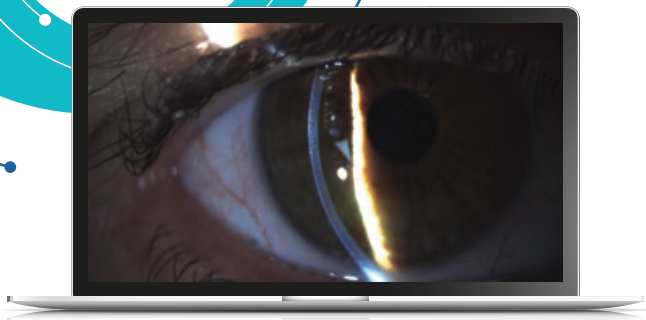


Auto Meibography



 **SBM**
Sistemi

from  Grafton Optical



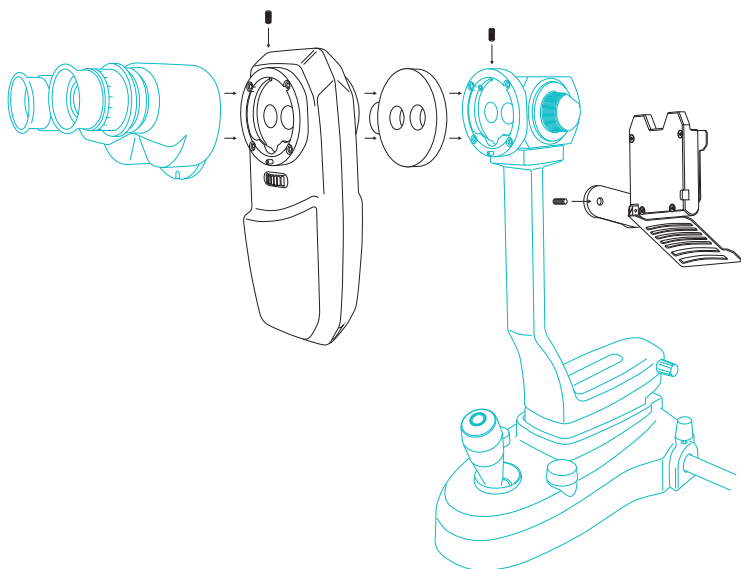
Improve your Slit Lamp

Save photos and videos

Digital conversion of the video signal

The video signal from the camera is fed into the imaging systems PC via a SuperSpeed USB 3.0 cable connection.

Optional IR-CUT-FILTER (for halogen lamp)



Technical data

Acquisition card not required

Image resolution:
Up to 3,1 MP 1/1,8" sensor

Acquisition mode:
Single pictures, multi shot, video

Optical focus adjustment

ISO management: Electronic

Connection: USB 3.0 SuperSpeed

Slit Lamp imaging module

DSLC200 is the new Slit Lamp imaging system.

Thanks to its high optical quality it provides amazing images and videos. The 3.1 MP camera with 1/1.8" sensor and high-quality optical image splitter offer incredible results.

The optical system has an adjustable focus distance to be set according to your needs. The imaging module can be mounted on most of the Slit Lamps available on the market such as Rexam, CSO, Zeiss, Nidek, Topcon, Takagi, Righton, Keeler, Huvitz, Mediworks, Shin Nippon, Haag-Streit...

DSLC200 can transform your Slit Lamp into a high quality digital Slit Lamp!

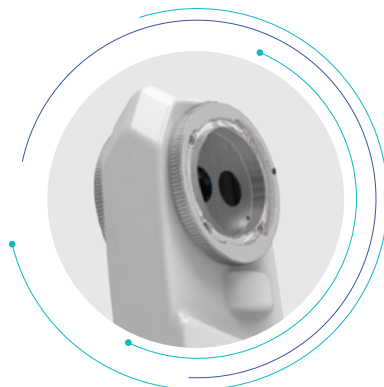
The device is not mounted on the eyepiece as all after-market cameras use to but uses a real image splitter fitted between eyepieces and magnification optics of your Slit Lamp providing not only the best possible quality of image but allows the user to use the eyepieces normally.

The Slit Lamp is probably the most important evaluation tool in the practice of the ocular surface specialist; it allows you to conduct a detailed inspection of the anterior segment of the eye. Slit Lamp observations can be limited by factors such as the specialist's memory.

Eye photography offers an alternative and accurate system for recording the appearance of the tissue.

The instantaneous nature of the digital image has the additional advantage of supporting the education of the patient.

- Easy acquisition
- Image & Video Acquisitions
- Image & Video Archiving
- Digital zoom function
- Low light request for Patient-Comfort
- Multi-Language software
- Compact design
- Complete software for patient management and for subsequent follow up



Haag-Streit
couplings



All other
couplings

Integrate your Slit Lamp with dry eye module DEM 100

Switch your Slit Lamp into a complete dry eye assessment test. The new DEM100 fitting on any Slit Lamp, in combination with the DSLC200, allows a complete Tear Film automated analysis.

Assessment of dry eye

The DSLC200 device can also be used in combination with the DEM 100 and is adaptable to your Slit Lamp System.

The devices can be installed in less than 5 minutes on your Slit Lamp and transform it into a complete and unique diagnostic tool for dry eye.

The software will guide you in the dry eye examination and all software automations are provided to obtain reliable and complete objective results.

Why does a Slit Lamp need more?

Switch your Slit Lamp into a complete dry eye assessment test

- Illumination module to light up and evaluate the Lipid Layer Thickness (LLT)
- IR illumination for Meibomian glands imaging
- Digital evaluation of Tear Meniscus Height
- Objective blink analysis
- Easy and user friendly DEDICATED DRY EYE software interface
- TREATMENT PROTOCOL developed by our KOL to help in data interpretation and treatment selection
- DEM 100 foldable system allows Slit Lamp use without interference

Available on the slit lamp

- TBUT
- Staining test

Available ONLY with DEM100

- Lipid Layer Thickness
- Meibography
- Tear meniscus Height
- Automatic detection of Blinking motion
- Ocular redness classification
- NIBUT measurement



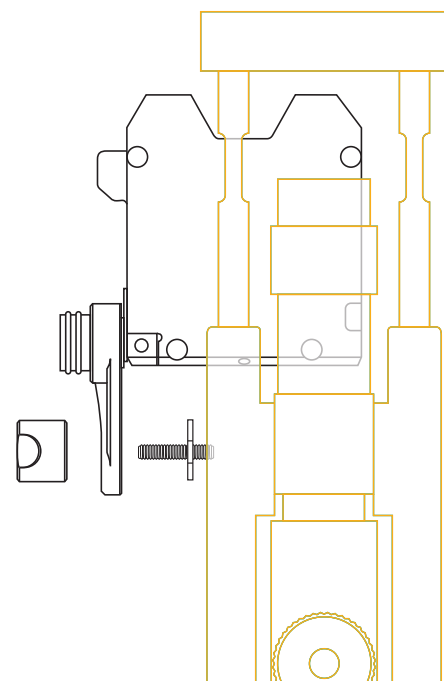
Haag-Streit type slit lamp

Easily connected to the side of the light tower of the slit lamp with a double screw and a provided knob. Can be raised and lowered down accordingly to the requirements of the exam performed.



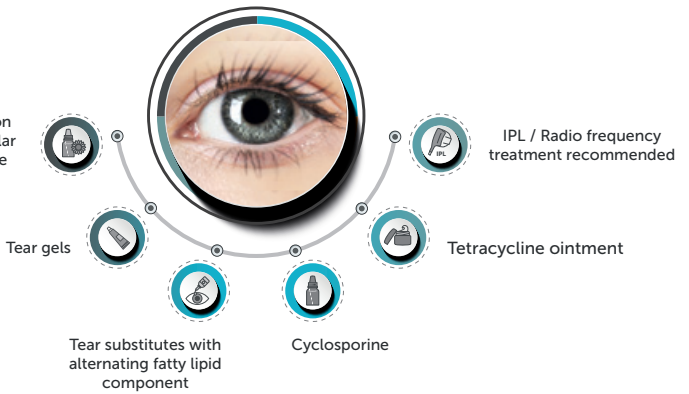
Zeiss type slit lamp

Connected to the coupling system of the DSLC200 provides a lateral support to the DEM100 illumination system. The support can be extended in front of the patient's eye or retracted to the side of the oculars when not in use.





Moisturizing eye drops based on hyaluronic acid or high molecular weight carboxymethylcellulose



Diagnosis suggestion

Ocular surface data and pathology classification suggestions

DEM100 includes an algorithm that suggests a possible treatment approach for each patient. All suggestions can be useful for diagnosis and treatment.

List of exams

Auto interferometry Plus

The software automatically evaluates the quantity and quality of the lipid component of the tear film. The device highlights the lipid layer and the software objectively evaluates Lipid Layer Thickness (LLT).

Auto-NIBUT Plus • Basic

The Device allows to evaluate tear film stability and regularity, using non-invasive break up time measurement (NIBUT).

Tear Meniscus Plus • Basic

The height of the tear meniscus that is observed on the eyelid margins provides useful information on the tear volume. The tear meniscus can be examined considering its height, regularity and shape.

Blink quality Plus

It has been established that efficient blinking plays an important role in ocular surface health during contact lens wear and that it improves contact lens performance and comfort.

Meibography Plus • Basic

Meibography is the visualization of the glands through illumination of the eyelid with infrared light. It images the morphology of the glands in order to diagnose any meibomian gland drop out which would lead to tear dysfunction.

3D Meibography Plus

This new imaging system provides strong evidence to support the choice of a specific therapy and helps the patient to understand why a certain therapy is being recommended.

Meibo Analysis Plus • Basic

A unique section dedicated to the Evaporative Dry Eye including all exams results related to this extremely widespread pathology.

Ocular redness classification Plus • Basic

Once the image of the conjunctiva with its blood vessels is captured, it is possible to compare it with the classification sheets of bulbar and limbal redness levels.

Scan the QR code for

Watch the DEM100 video demonstration



Watch the DEM100 unboxing



Visit our website



Available in the UK from Grafton Optical

+44 (0)1923 233980

sales@graftonoptical.com

 graftonoptical.com